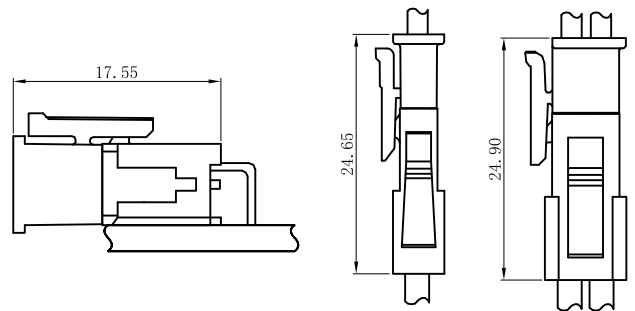


**SPECIFICATIONS:**

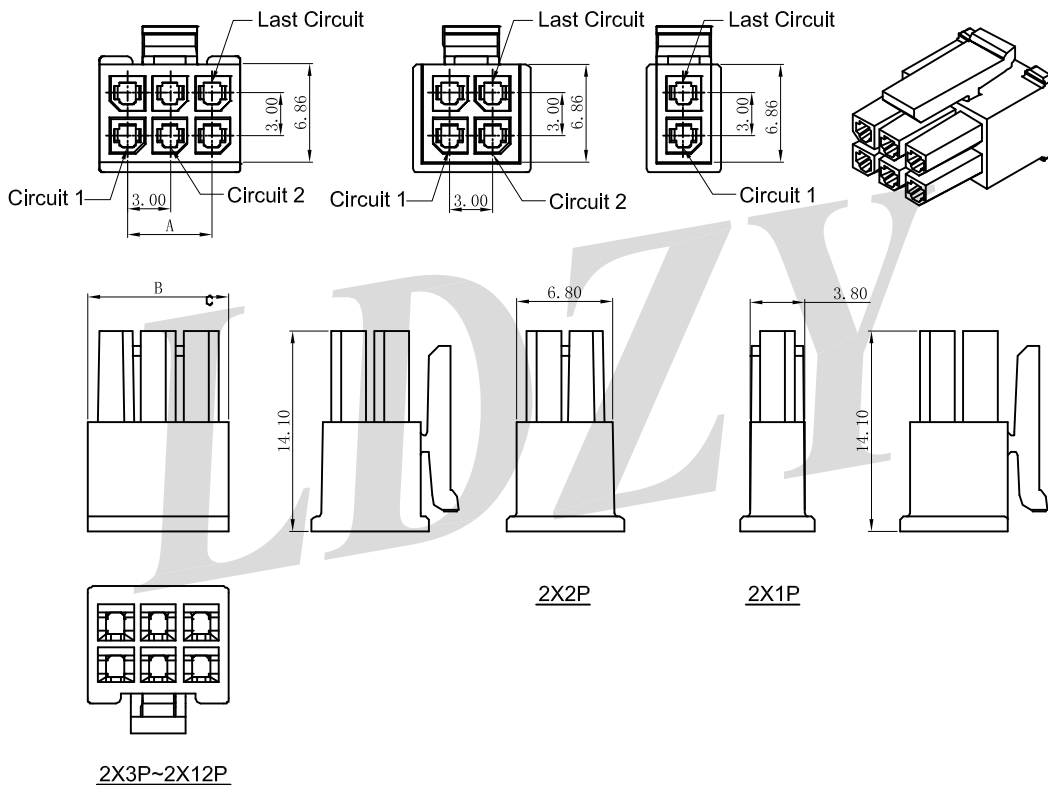
- Voltage Rating: 250V AC/DC
- Current Rating: 5A AC/DC
- Withstanding Voltage: 1500V AC/Minute
- Temperature Range: -25°C~+85°C
- Insulation Resistance: 1000MΩ Min.
- Contact Resistance: 10mΩ Max.
- Applicable Wire Range: AWG#20~24.

**Assembly Layout:**



**C3030HF-2NP-N2BK**

3.00mm Pitch Dual Row Housing



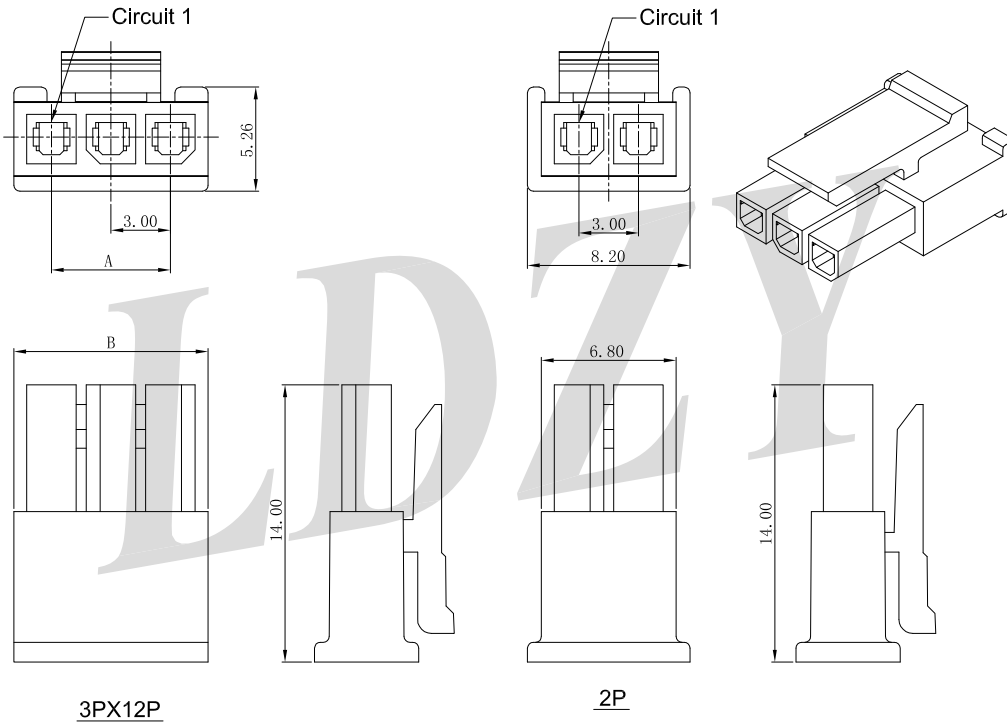
**Reference Informations:**

- \*Material: Housing: PA66 UL94V-2/Black
  - \*Suitable LDZY C3030 series Terminal
  - \*Mates with LDZY C3030 series Wafer
- Ordering Information & Dimensions

Poles	Dimensions (mm)	
	A	B
2*1P	---	3.80
2*2P	3.00	6.80
2*3P	6.00	9.80
2*4P	9.00	12.80
2*5P	12.00	15.80
2*6P	15.00	18.80
2*7P	18.00	21.80
2*8P	21.00	24.80
2*9P	24.00	27.80
2*10P	27.00	30.80
2*11P	30.00	33.80
2*12P	33.00	36.80

## C3030HF-NP-N2BK

3.00mm Pitch Single Row Housing



**Reference Informations:**

\*Material:

Housing: PA66 UL94V-2/Black

\*Suitable LDZY C3030 series Terminal

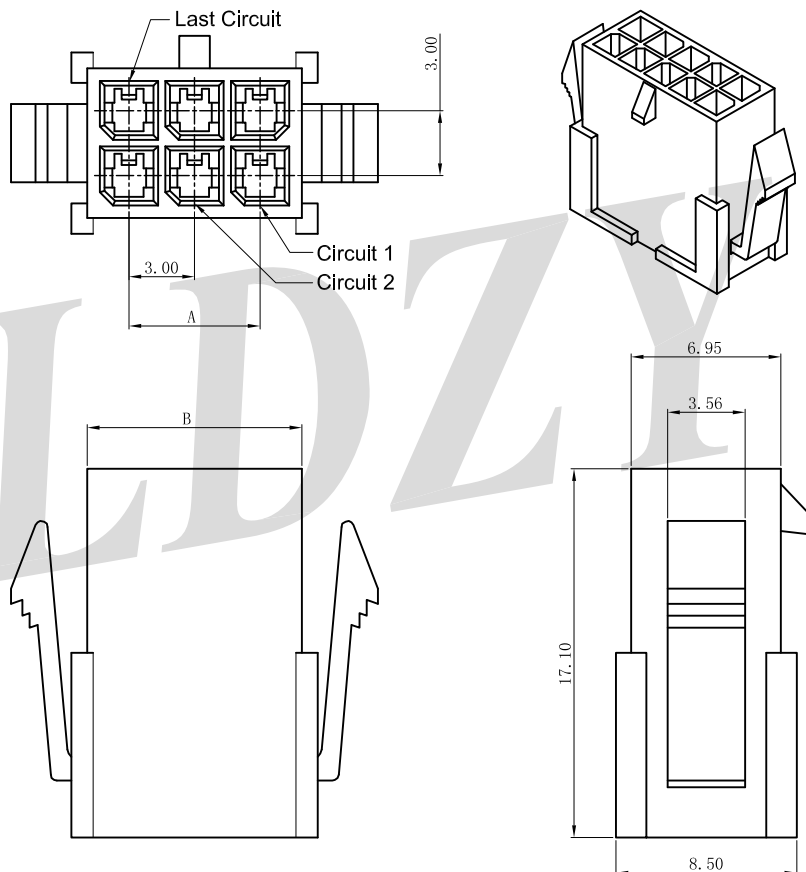
\*Mates with LDZY C3030 series Wafer

Ordering Information & Dimensions

Poles	Dimensions (mm)	
	A	B
02	3.00	6.80
03	6.00	9.80
04	9.00	12.80
05	12.00	15.80
06	15.00	18.80
07	18.00	21.80
08	21.00	24.80
09	24.00	27.80
10	27.00	30.80
11	30.00	33.80
12	33.00	36.80

## C3030HM-2NP-N2BK

3.00mm Pitch Dual Row Housing



**Reference Informations:**

\*Material:

Housing: PA66 UL94V-2/Black

\*Suitable LDZY C3030 series Terminal

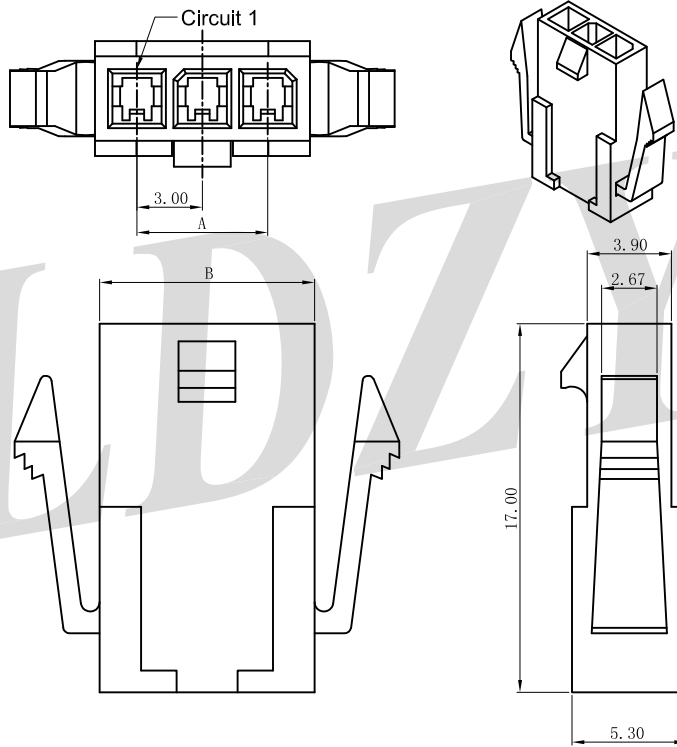
\*Mates with LDZY C3030 Female Housing

Ordering Information & Dimensions

Poles	Dimensions (mm)	
	A	B
2*1P	---	3.95
2*2P	3.00	6.95
2*3P	6.00	9.95
2*4P	9.00	12.95
2*5P	12.00	15.95
2*6P	15.00	18.95
2*7P	18.00	21.95
2*8P	21.00	24.95
2*9P	24.00	27.95
2*10P	27.00	30.95
2*11P	30.00	33.95
2*12P	33.00	36.95

## C3030HM-NP-N2BK

3.00mm Pitch Single Row Housing



**Reference Informations:**

\*Material:

Housing: PA66 UL94V-2/Black

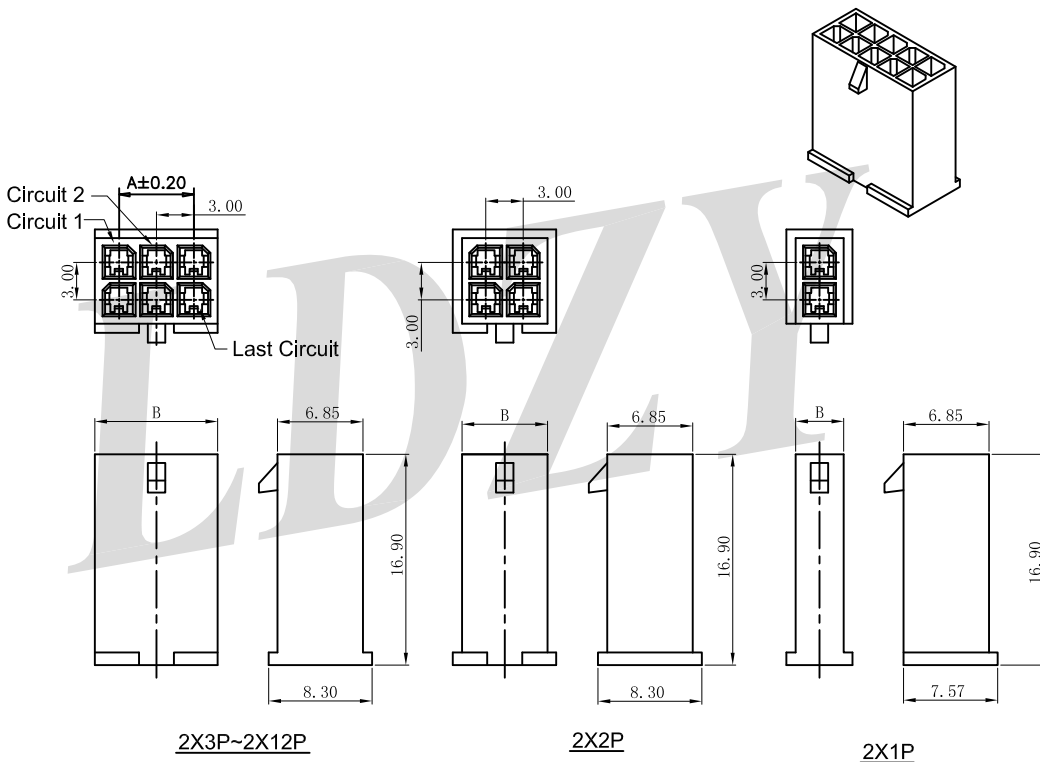
\*Suitable LDZY C3030 series Terminal

\*Mates with LDZY C3030 Female Housing  
Ordering Information & Dimensions

Poles	Dimensions (mm)	
	A	B
02	3.00	6.85
03	6.00	9.85
04	9.00	12.85
05	12.00	15.85
06	15.00	18.85
07	18.00	21.85
08	21.00	24.85
09	24.00	27.85
10	27.00	30.85
11	30.00	33.85
12	33.00	36.85

## C3030HMA-2NP-N2BK

3.00mm Pitch Dual Row Housing



**Reference Informations:**

\*Material:

Housing: PA66 UL94V-2/Black

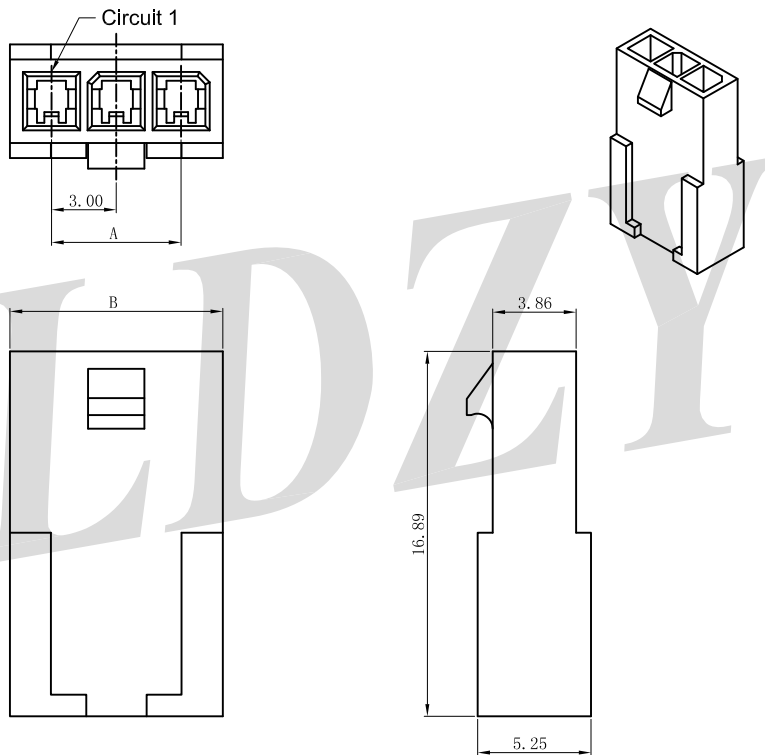
\*Suitable LDZY C3030 series Terminal

\*Mates with LDZY C3030 Female Housing  
Ordering Information & Dimensions

Poles	Dimensions (mm)	
	A	B
2*1P	---	3.85
2*2P	3.00	6.85
2*3P	6.00	9.85
2*4P	9.00	12.85
2*5P	12.00	15.85
2*6P	15.00	18.85
2*7P	18.00	21.85
2*8P	21.00	24.85
2*9P	24.00	27.85
2*10P	27.00	30.85
2*11P	30.00	33.85
2*12P	33.00	36.85

## C3030HMA-NP-N2BK

3.00mm Pitch Single Row Housing



**Reference Informations:**

\*Material:

Housing: PA66 UL94V-2/Black

\*Suitable LDZY C3030 series Terminal

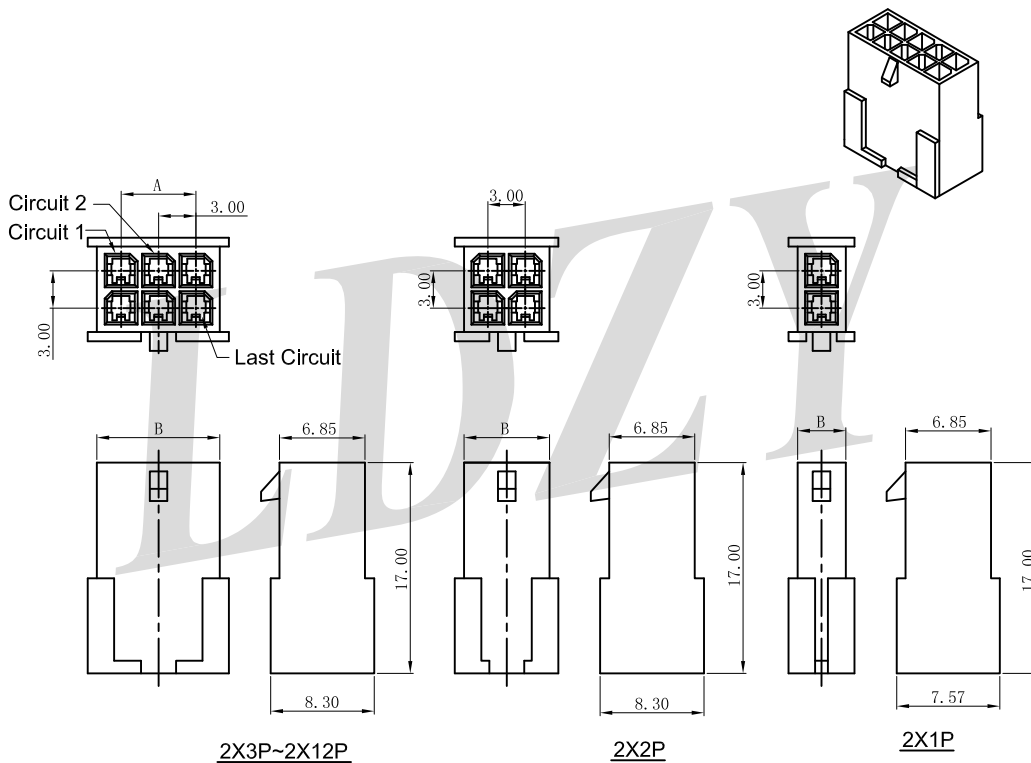
\*Mates with LDZY C3030 Female Housing

Ordering Information & Dimensions

Poles	Dimensions (mm)	
	A	B
02	3.00	6.85
03	6.00	9.85
04	9.00	12.85
05	12.00	15.85
06	15.00	18.85
07	18.00	21.85
08	21.00	24.85
09	24.00	27.85
10	27.00	30.85
11	30.00	33.85
12	33.00	36.85

## C3030HMB-2NP-N2BK

3.00mm Pitch Dual Row Housing



**Reference Informations:**

\*Material:

Housing: PA66 UL94V-2/Black

\*Suitable LDZY C3030 series Terminal

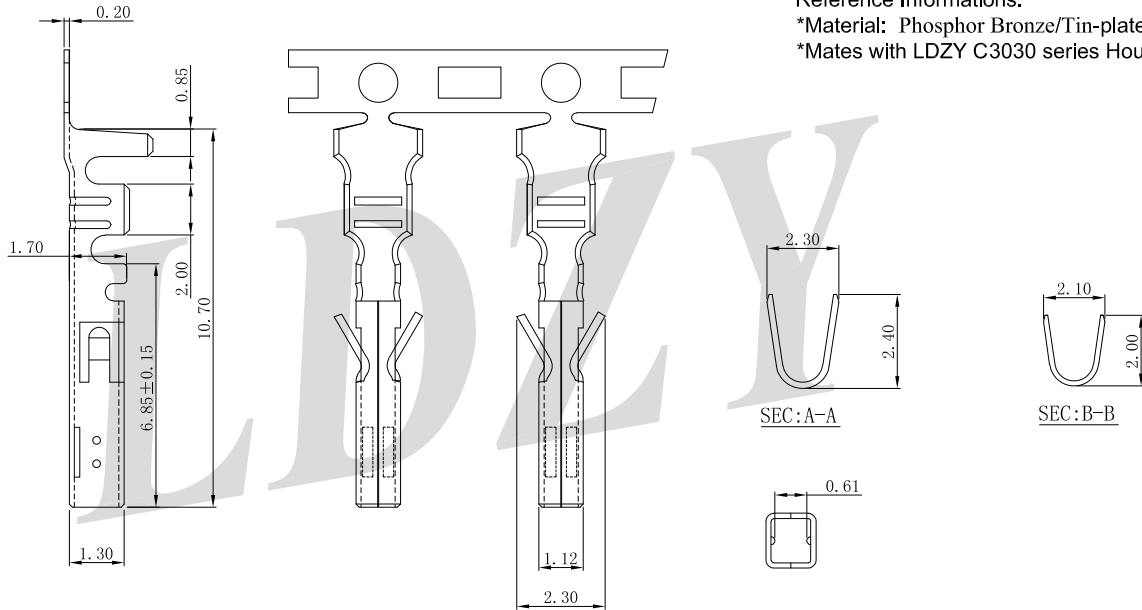
\*Mates with LDZY C3030 Female Housing

Ordering Information & Dimensions

Poles	Dimensions (mm)	
	A	B
2*1P	---	3.85
2*2P	3.00	6.85
2*3P	6.00	9.85
2*4P	9.00	12.85
2*5P	12.00	15.85
2*6P	15.00	18.85
2*7P	18.00	21.85
2*8P	21.00	24.85
2*9P	24.00	27.85
2*10P	27.00	30.85
2*11P	30.00	33.85
2*12P	33.00	36.85

## C3030TF-PXX

3.00mm Pitch Terminal



**Reference Informations:**

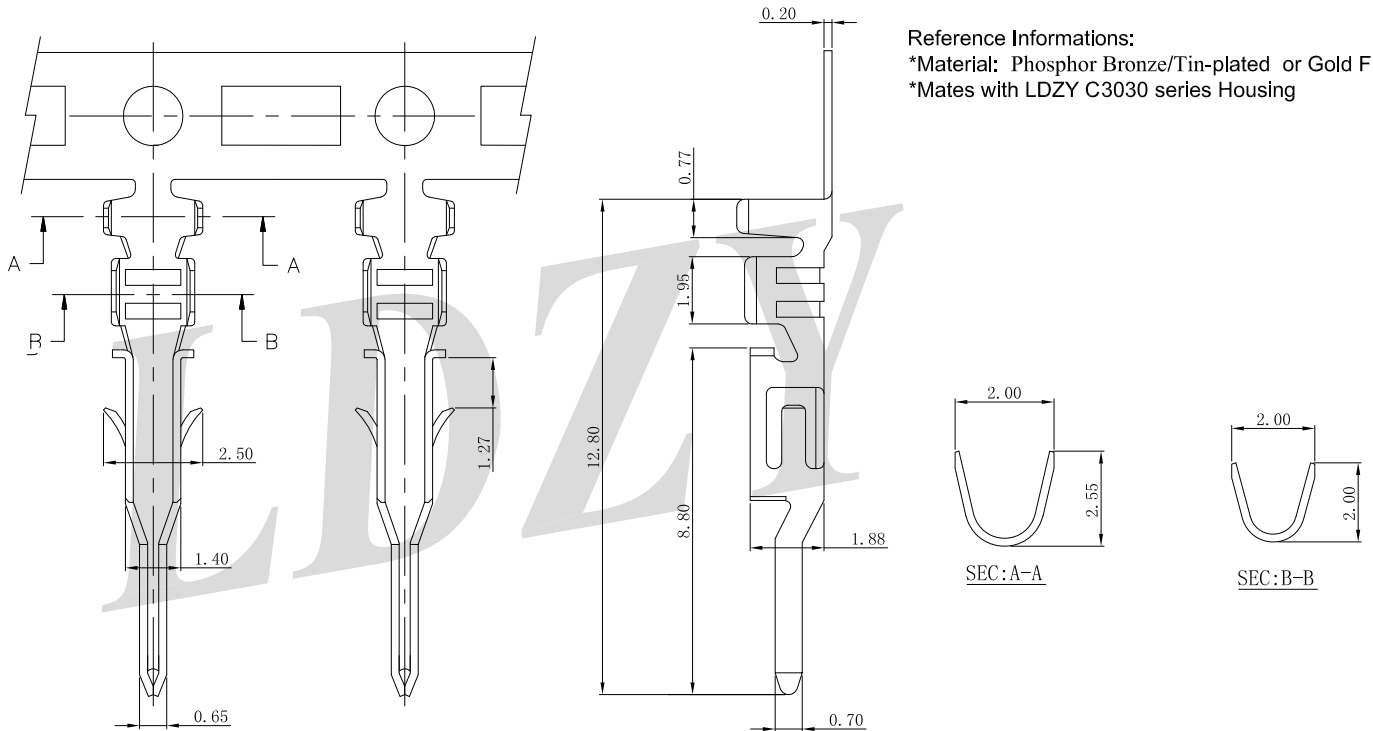
- \*Material: Phosphor Bronze/Tin-plated or Gold Flash
- \*Mates with LDZY C3030 series Housing

**Ordering Information & Specifications**

Part No	Wire Range	Insulation O.D.	Material	Finish	Qty/reel
C3030TF-PT1	AWG#20-#24	1.60mm(max)	Phosphor Bronze	Tin-plated	10,000pcs
C3030TF-PG1	AWG#20-#24	1.60mm(max)	Phosphor Bronze	Gold Flash	10,000pcs

## C3030TM-PXX

3.00mm Pitch Terminal



**Reference Informations:**

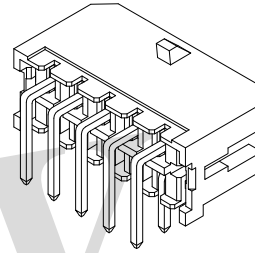
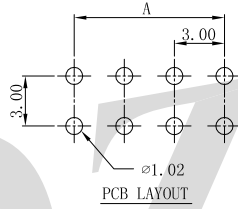
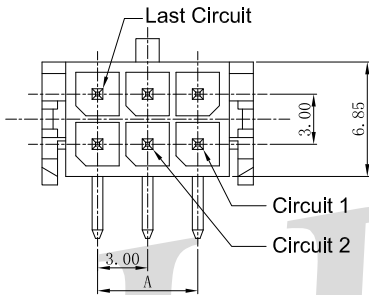
- \*Material: Phosphor Bronze/Tin-plated or Gold Flash
- \*Mates with LDZY C3030 series Housing

**Ordering Information & Specifications**

Part No	Wire Range	Insulation O.D.	Material	Finish	Qty/reel
C3030TM-PT1	AWG#20-#24	1.60mm(max)	Phosphor Bronze	Tin-plated	10,000pcs
C3030TM-PG1	AWG#20-#24	1.60mm(max)	Phosphor Bronze	Gold Flash	10,000pcs

## C3030WR-2NP-P0BKT

3.00mm Pitch 90° Dual Row Wafer



Reference Informations:

\*Material:

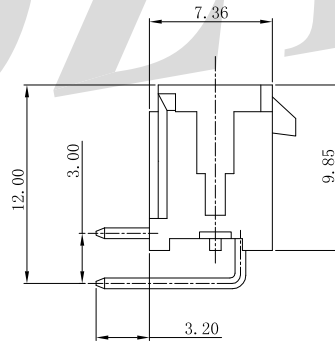
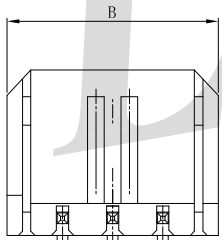
PIN: Brass/Tin-plated

Wafer: PBT,UL94V-0 Black

\*Suitable LDZY C3030 series Housing

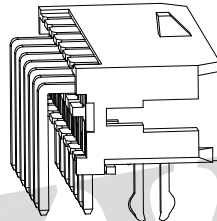
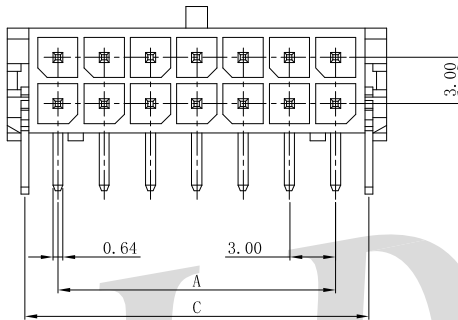
Ordering Information & Dimensions

Poles	Dimensions (mm)	
	A	B
2*1P	---	6.65
2*2P	3.00	9.65
2*3P	6.00	12.65
2*4P	9.00	15.65
2*5P	12.00	18.65
2*6P	15.00	21.65
2*7P	18.00	24.65
2*8P	21.00	27.65
2*9P	24.00	30.65
2*10P	27.00	33.65
2*11P	30.00	36.65
2*12P	33.00	39.65



## C3030WRA-2NP-P0BKT

3.00mm Pitch 90° Dual Row Wafer



Reference Informations:

\*Material:

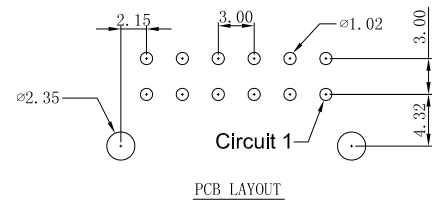
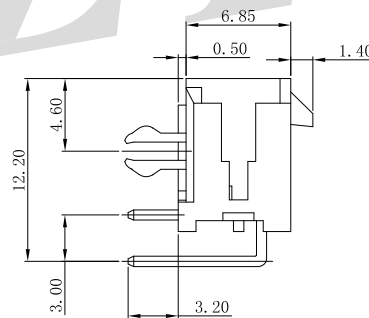
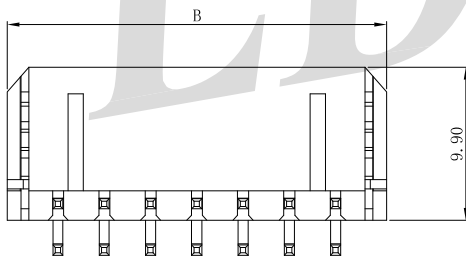
PIN: Brass/Tin-plated

Wafer: PBT,UL94V-0 Black

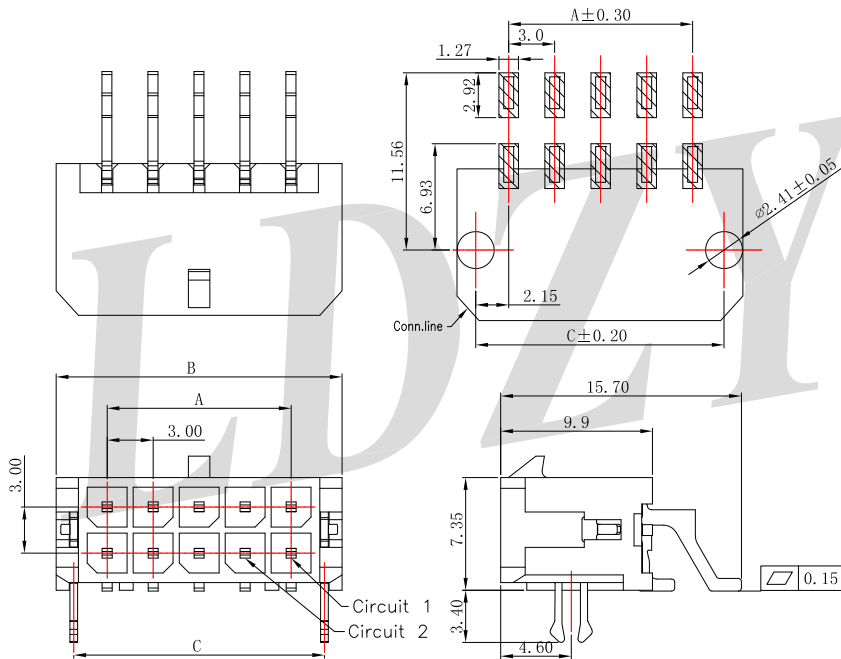
\*Suitable LDZY C3030 series Housing

Ordering Information & Dimensions

Poles	Dimensions (mm)		
	A	B	C
2*1P	---	6.65	4.30
2*2P	3.00	9.65	7.30
2*3P	6.00	12.65	10.30
2*4P	9.00	15.65	13.30
2*5P	12.00	18.65	16.30
2*6P	15.00	21.65	19.30
2*7P	18.00	24.65	22.30
2*8P	21.00	27.65	25.30
2*9P	24.00	30.65	28.30
2*10P	27.00	33.65	31.30
2*11P	30.00	36.65	34.30
2*12P	33.00	39.65	37.30



## C3030WRAS-2NP-L0BKMD 3.00mm Pitch 90° SMT Dual Row Wafer



**Reference Informations:**

\*Material:

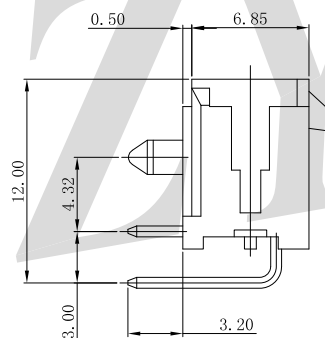
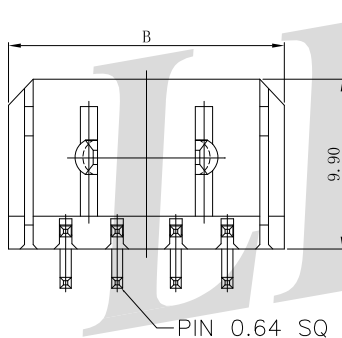
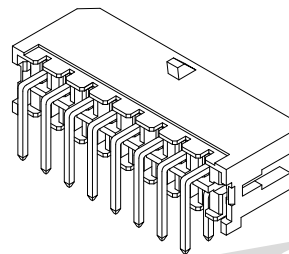
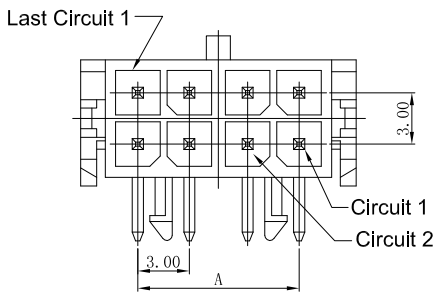
PIN: Brass/Matte Tin Plated

Wafer: LCP,UL94V-0 Black

\*Suitable LDZY C3030 series Housing  
Ordering Information & Dimensions

Poles	Dimensions (mm)		
	A	B	C
2*1P	----	6.65	4.20
2*2P	3.00	9.65	7.20
2*3P	6.00	12.65	10.20
2*4P	9.00	15.65	13.20
2*5P	12.00	18.65	16.20
2*6P	15.00	21.65	19.20
2*7P	18.00	24.65	22.20
2*8P	21.00	27.65	25.20
2*9P	24.00	30.65	28.20
2*10P	27.00	33.65	31.20
2*11P	30.00	36.65	34.20
2*12P	33.00	39.65	37.20

## C3030WRF-2NP-P0BKT 3.00mm Pitch 90° Dual Row Wafer



**Reference Informations:**

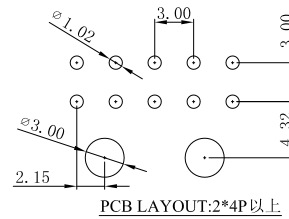
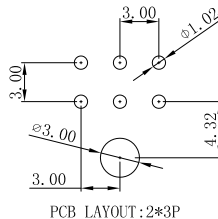
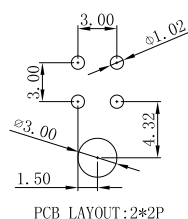
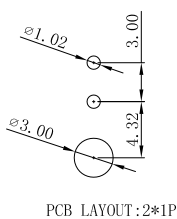
\*Material:

PIN: Brass/Tin-plated

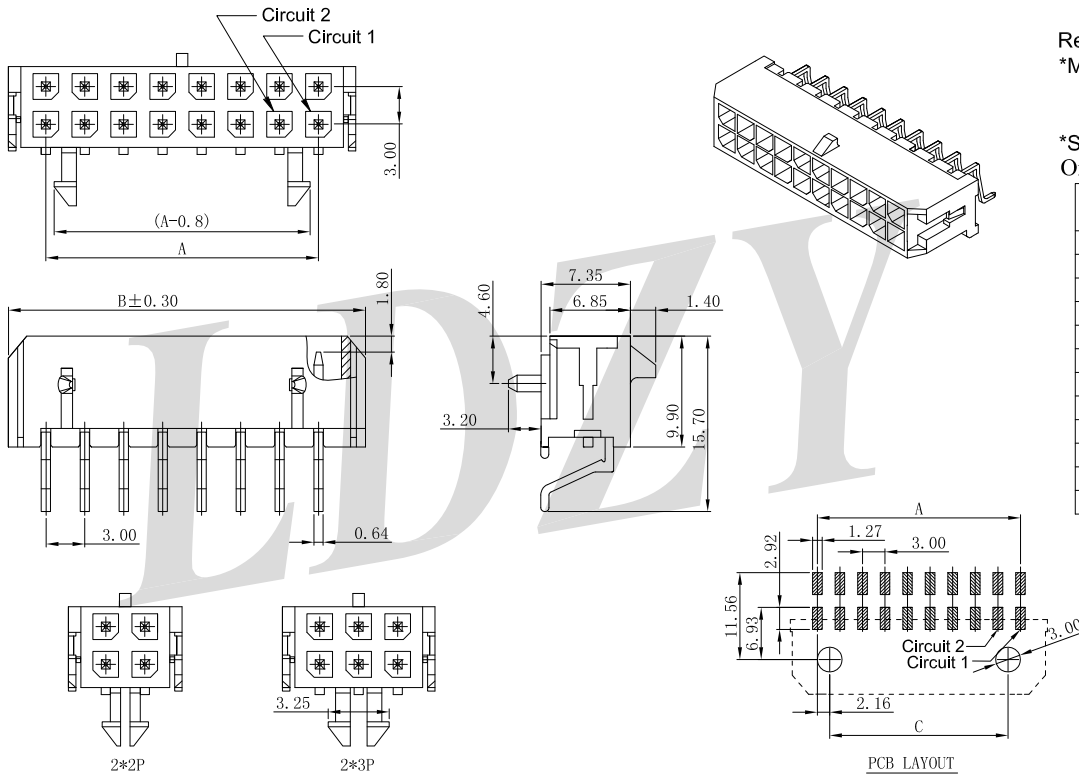
Wafer: PBT,UL94V-0 Black

\*Suitable LDZY C3030 series Housing  
Ordering Information & Dimensions

Poles	Dimensions (mm)	
	A	B
2*1P	----	6.65
2*2P	3.00	9.65
2*3P	6.00	12.65
2*4P	9.00	15.65
2*5P	12.00	18.65
2*6P	15.00	21.65
2*7P	18.00	24.65
2*8P	21.00	27.65
2*9P	24.00	30.65
2*10P	27.00	33.65
2*11P	30.00	36.65
2*12P	33.00	39.65



## C3030WRFS-2NP-L0BKM 3.00mm Pitch 90° SMT Dual Row Wafer



**Reference Informations:**

\*Material:

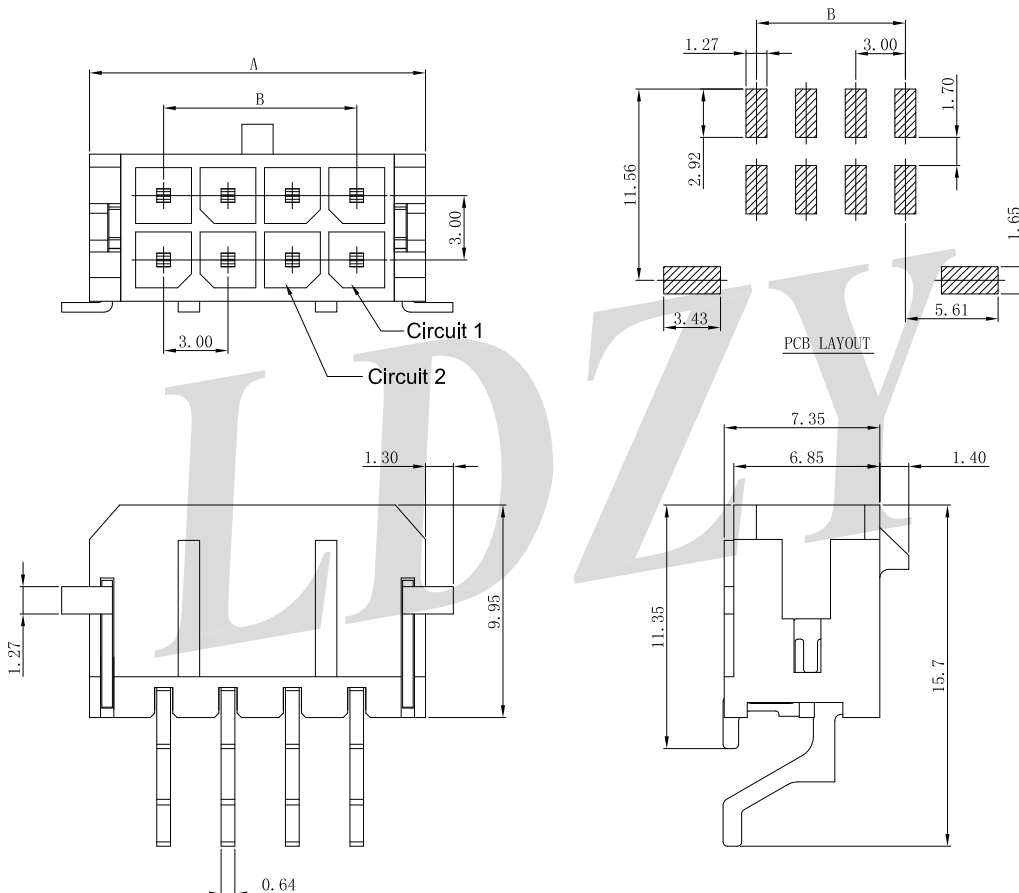
PIN: Brass/Matte Tin Plated

Wafer: LCP,UL94V-0 Black

\*Suitable LDZY C3030 series Housing  
Ordering Information & Dimensions

Poles	Dimensions (mm)		
	A	B	C
2*1P	---	6.65	---
2*2P	3.00	9.65	---
2*3P	6.00	12.65	---
2*4P	9.00	15.65	4.70
2*5P	12.00	18.65	7.70
2*6P	15.00	21.65	10.70
2*7P	18.00	24.65	13.70
2*8P	21.00	27.65	16.70
2*9P	24.00	30.65	19.70
2*10P	27.00	33.65	22.70
2*11P	30.00	36.65	25.70
2*12P	33.00	39.65	28.70

## C3030WRS-2NP-L0BKMD 3.00mm Pitch 90° SMT Dual Row Wafer



**Reference Informations:**

\*Material:

PIN: Brass/Matte Tin Plated

Wafer: LCP,UL94V-0 Black

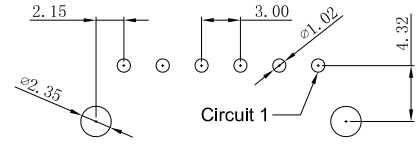
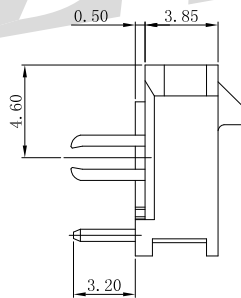
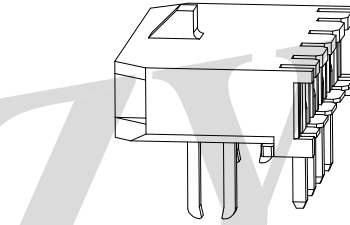
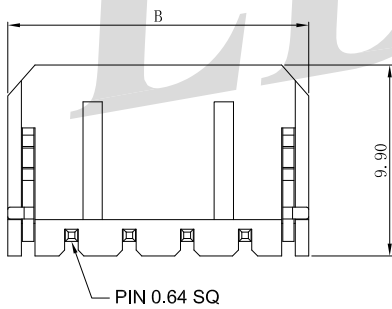
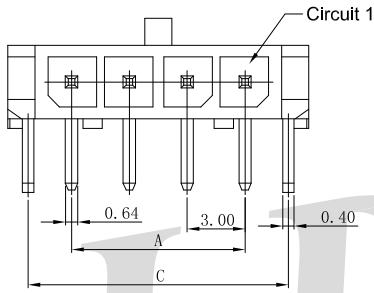
\*Suitable LDZY C3030 series Housing  
Ordering Information & Dimensions

Poles	Dimensions (mm)	
	A	B
2*1P	6.65	---
2*2P	9.65	3.00
2*3P	12.65	6.00
2*4P	15.65	9.00
2*5P	18.65	12.00
2*6P	21.65	15.00
2*7P	24.65	18.00
2*8P	27.65	21.00
2*9P	30.65	24.00
2*10P	33.65	27.00
2*11P	36.65	30.00
2*12P	39.65	33.00



## C3030WRA-NP-L0BKM

3.00mm Pitch 90° Single Row Wafer



Reference Informations:

\*Material:

PIN: Brass/Tin-plated

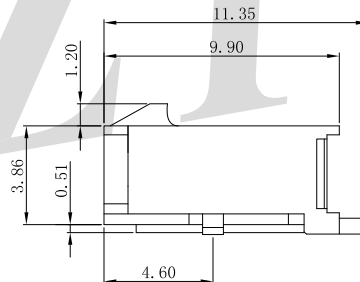
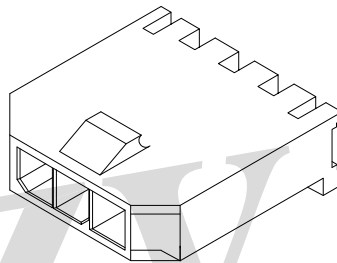
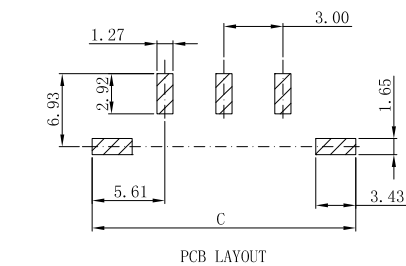
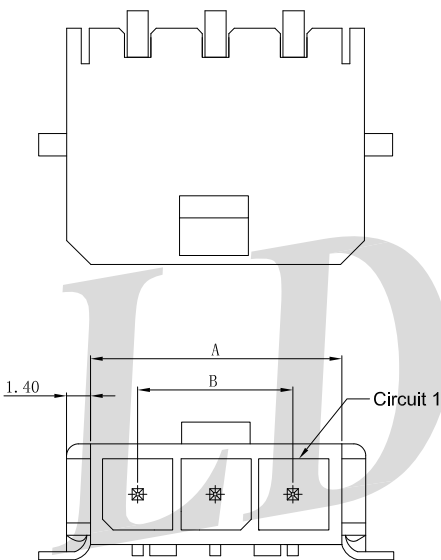
Wafer: LCP,UL94V-0 Black

\*Suitable LDZY C3030 series Housing  
Ordering Information & Dimensions

Poles	Dimensions (mm)		
	A	B	C
01P	---	6.65	---
02P	3.00	9.65	7.30
03P	6.00	12.65	10.30
04P	9.00	15.65	13.30
05P	12.00	18.65	16.30
06P	15.00	21.65	19.30
07P	18.00	24.65	22.30
08P	21.00	27.65	25.30
09P	24.00	30.65	28.30
10P	27.00	33.65	31.30
11P	30.00	36.65	34.30
12P	33.00	39.65	37.30

## C3030WRS-NP-L0BKM

3.00mm Pitch 90° SMT Single Row Wafer



Reference Informations:

\*Material:

PIN: Brass/Matte Tin Plated

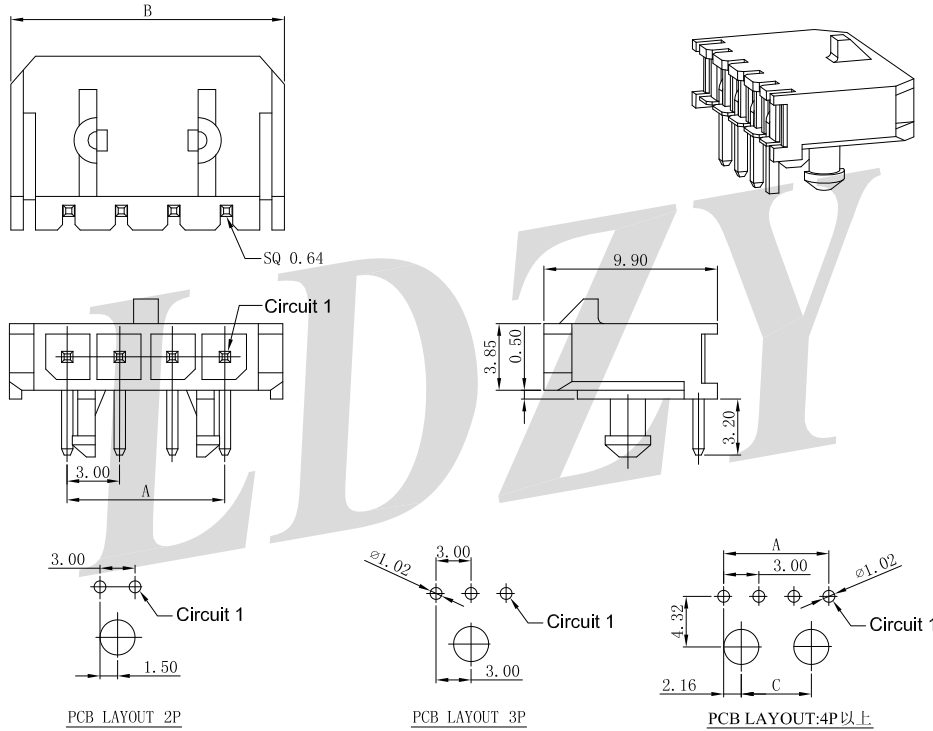
Wafer: LCP,UL94V-0 Black

\*Suitable LDZY C3030 series Housing  
Ordering Information & Dimensions

Poles	Dimensions (mm)		
	A	B	C
02P	6.85	3.00	14.20
03P	9.85	6.00	17.20
04P	12.85	9.00	20.20
05P	15.85	12.00	23.20
06P	18.85	15.00	26.20
07P	21.85	18.00	29.20
08P	24.85	21.00	32.20
09P	27.85	24.00	35.20
10P	30.85	27.00	38.20
11P	33.85	30.00	41.20
12P	36.85	33.00	44.20

## C3030WRF-NP-P0BKT

3.00mm Pitch 90° Single Row Wafer



**Reference Informations:**

\*Material:

PIN: Brass/Tin-plated

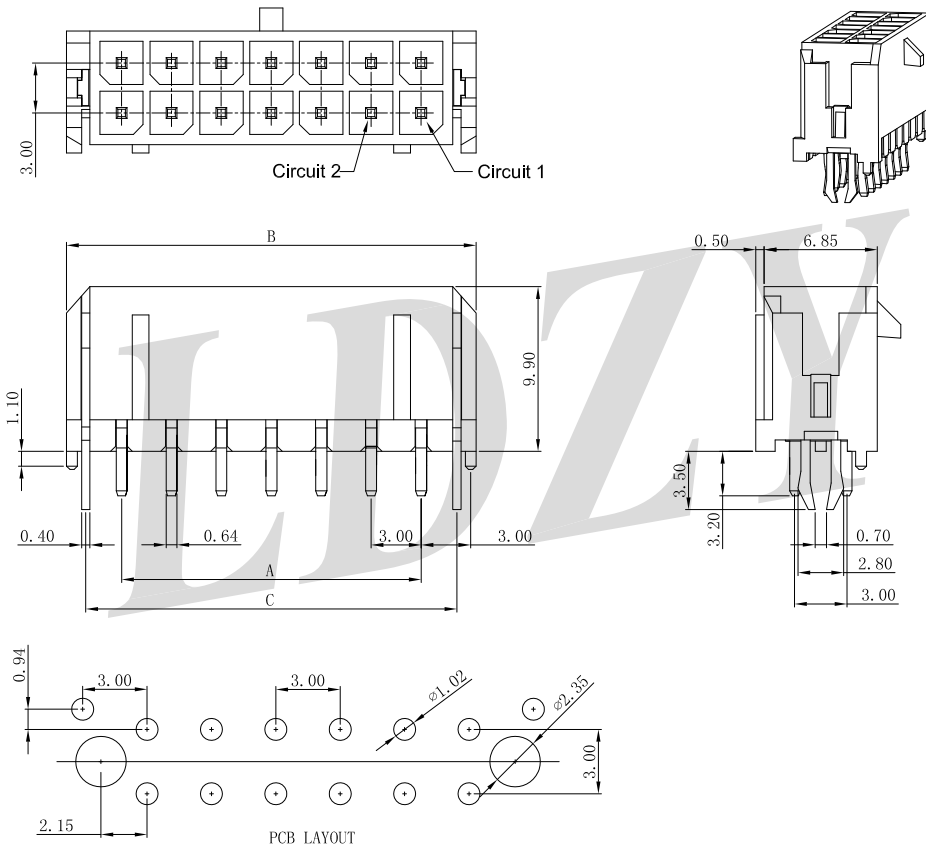
Wafer: PBT,UL94V-0 Black

\*Suitable LDZY C3030 series Housing  
Ordering Information & Dimensions

Poles	Dimensions (mm)		
	A	B	C
01P	----	6.65	---
02P	3.00	9.65	---
03P	6.00	12.65	---
04P	9.00	15.65	4.70
05P	12.00	18.65	7.70
06P	15.00	21.65	10.70
07P	18.00	24.65	13.70
08P	21.00	27.65	16.70
09P	24.00	30.65	19.70
10P	27.00	33.65	22.70
11P	30.00	36.65	25.70
12P	33.00	39.65	28.70

## C3030WVA-2NP-P0BKT

3.00mm Pitch 90° Dual Row Wafer



**Reference Informations:**

\*Material:

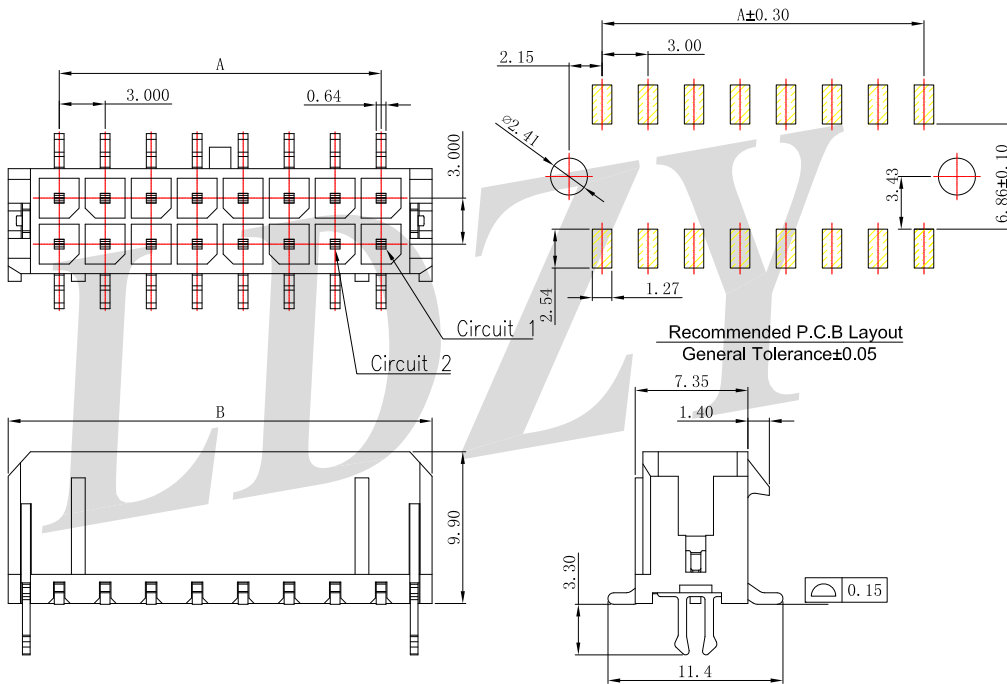
PIN: Brass/Tin-plated

Wafer: PBT,UL94V-0 Black

\*Suitable LDZY C3030 series Housing  
Ordering Information & Dimensions

Poles	Dimensions (mm)		
	A	B	C
2*1P	----	6.65	4.30
2*2P	3.00	9.65	7.30
2*3P	6.00	12.65	10.30
2*4P	9.00	15.65	13.30
2*5P	12.00	18.65	16.30
2*6P	15.00	21.65	19.30
2*7P	18.00	24.65	22.30
2*8P	21.00	27.65	25.30
2*9P	24.00	30.65	28.30
2*10P	27.00	33.65	31.30
2*11P	30.00	36.65	34.30
2*12P	33.00	39.65	37.30

## C3030WVAS-2NP-L0BKMD 3.00mm Pitch 180° SMT Dual Row Wafer



Reference Informations:

\*Material:

PIN: Brass/Matte Tin Plated

Wafer: LCP,UL94V-0 Black

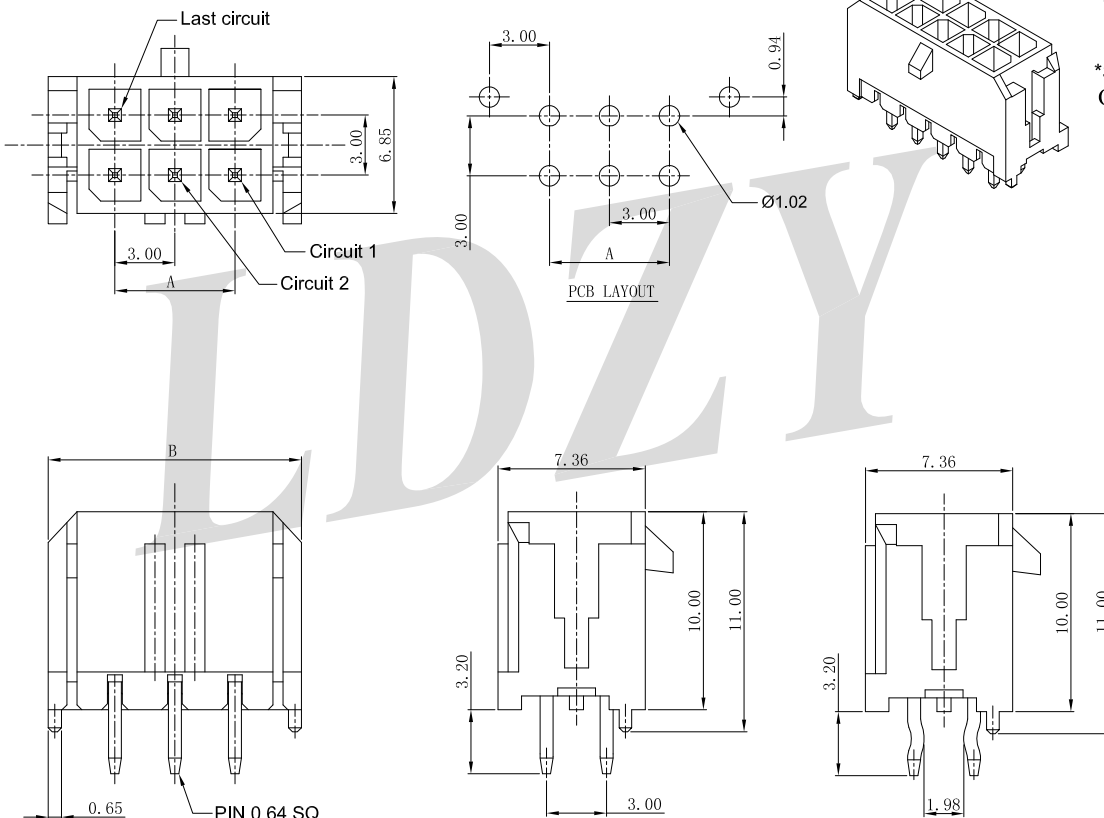
\*Suitable LDZY C3030 series Housing

Ordering Information & Dimensions

Poles	Dimensions (mm)		
	A	B	C
2*1P	----	6.65	4.20
2*2P	3.00	9.65	7.20
2*3P	6.00	12.65	10.20
2*4P	9.00	15.65	13.20
2*5P	12.00	18.65	16.20
2*6P	15.00	21.65	19.20
2*7P	18.00	24.65	22.20
2*8P	21.00	27.65	25.20
2*9P	24.00	30.65	28.20
2*10P	27.00	33.65	31.20
2*11P	30.00	36.65	34.20
2*12P	33.00	39.65	37.20

## C3030WVF-2NP-P0BKT 3.00mm Pitch 180° Dual Row Wafer

3.00mm Pitch 180° Dual Row Wafer



Reference Informations:

\*Material:

PIN: Brass/Tin-plated

Wafer: PBT,UL94V-0 Black

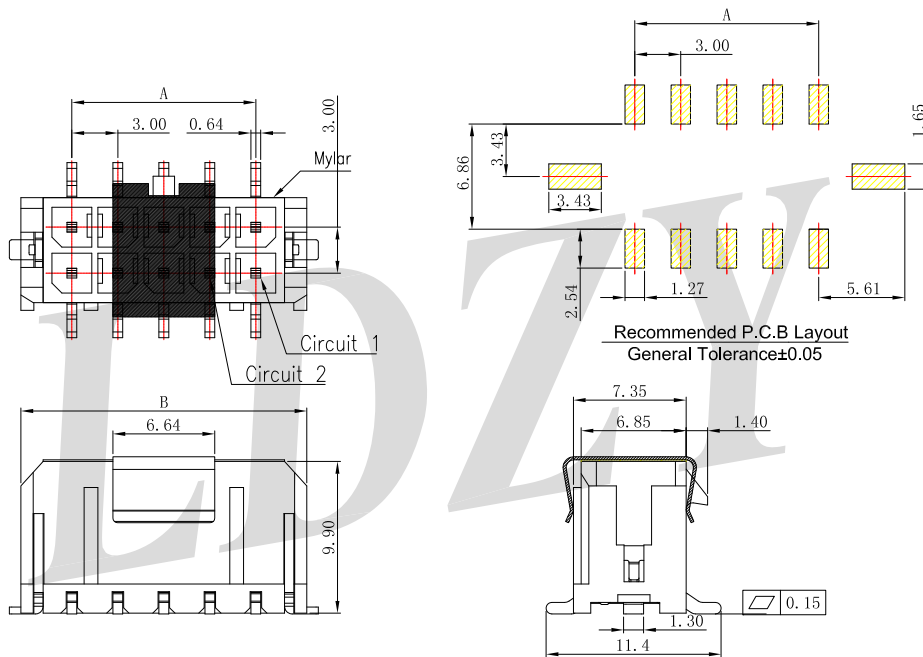
\*Suitable LDZY C3030 series Housing

Ordering Information & Dimensions

Poles	Dimensions (mm)	
	A	B
2*1P	----	6.65
2*2P	3.00	9.65
2*3P	6.00	12.65
2*4P	9.00	15.65
2*5P	12.00	18.65
2*6P	15.00	21.65
2*7P	18.00	24.65
2*8P	21.00	27.65
2*9P	24.00	30.65
2*10P	27.00	33.65
2*11P	30.00	36.65
2*12P	33.00	39.65

## C3030WVS-2NP-L0BKM

3.00mm Pitch 180° SMT Dual Row Wafer



**Reference Informations:**

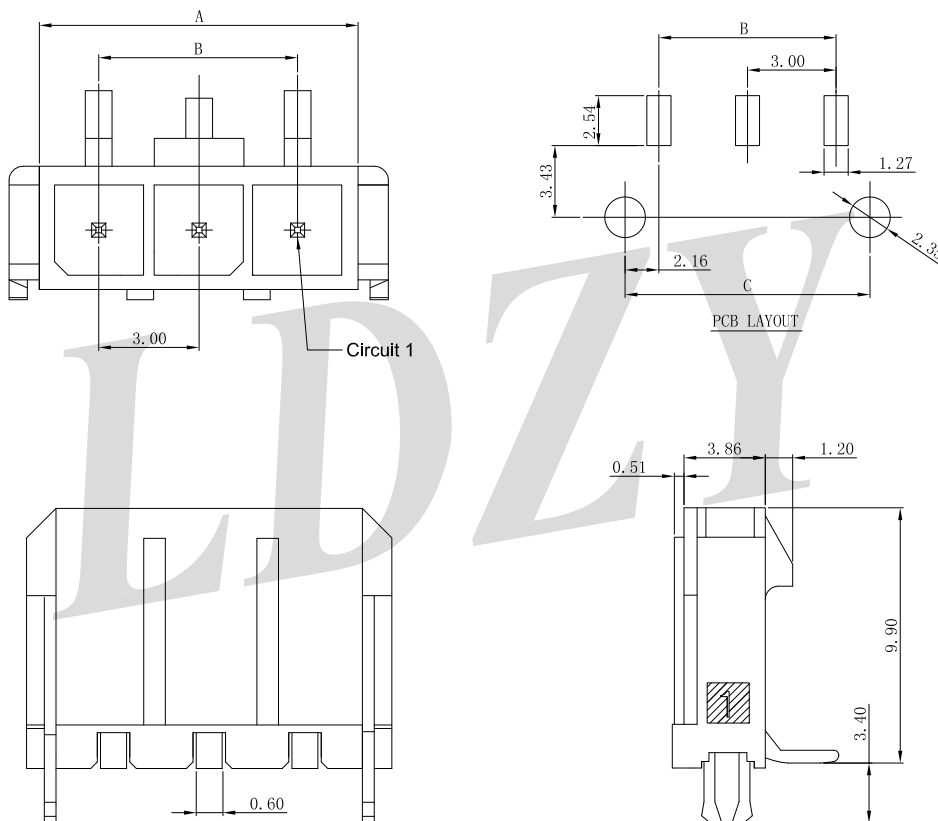
- \*Material: PIN: Brass/Matte Tin Plated  
Wafer: LCP,UL94V-0 Black
- \*Suitable LDZY C3030 series Housing

**Ordering Information & Dimensions**

Poles	Dimensions (mm)	
	A	B
2*1P	---	6.65
2*2P	3.00	9.65
2*3P	6.00	12.65
2*4P	9.00	15.65
2*5P	12.00	18.65
2*6P	15.00	21.65
2*7P	18.00	24.65
2*8P	21.00	27.65
2*9P	24.00	30.65
2*10P	27.00	33.65
2*11P	30.00	36.65
2*12P	33.00	39.65

## C3030WVAS-NP-L0BKM

3.00mm Pitch 180° SMT Single Row Wafer



**Reference Informations:**

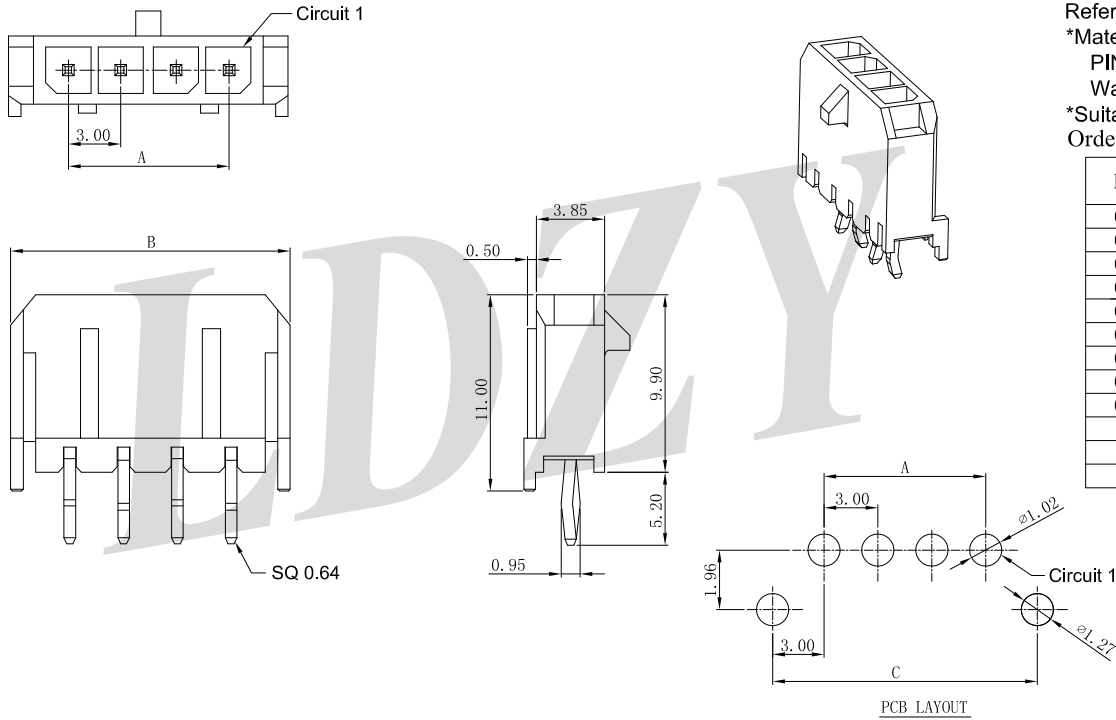
- \*Material: PIN: Brass/Matte Tin Plated  
Wafer: LCP,UL94V-0 Black
- \*Suitable LDZY C3030 series Housing

**Ordering Information & Dimensions**

Poles	Dimensions (mm)		
	A	B	C
02P	6.85	3.00	7.30
03P	9.85	6.00	10.30
04P	12.85	9.00	13.30
05P	15.85	12.00	16.30
06P	18.85	15.00	19.30
07P	21.85	18.00	22.30
08P	24.85	21.00	25.30
09P	27.85	24.00	28.30
10P	30.85	27.00	31.30
11P	33.85	30.00	34.30
12P	36.85	33.00	37.30

## C3030WVF-NP-P0BKT

3.00mm Pitch 180° Single Row Wafer



Reference Informations:

\*Material:

PIN: Brass/Tin-plated

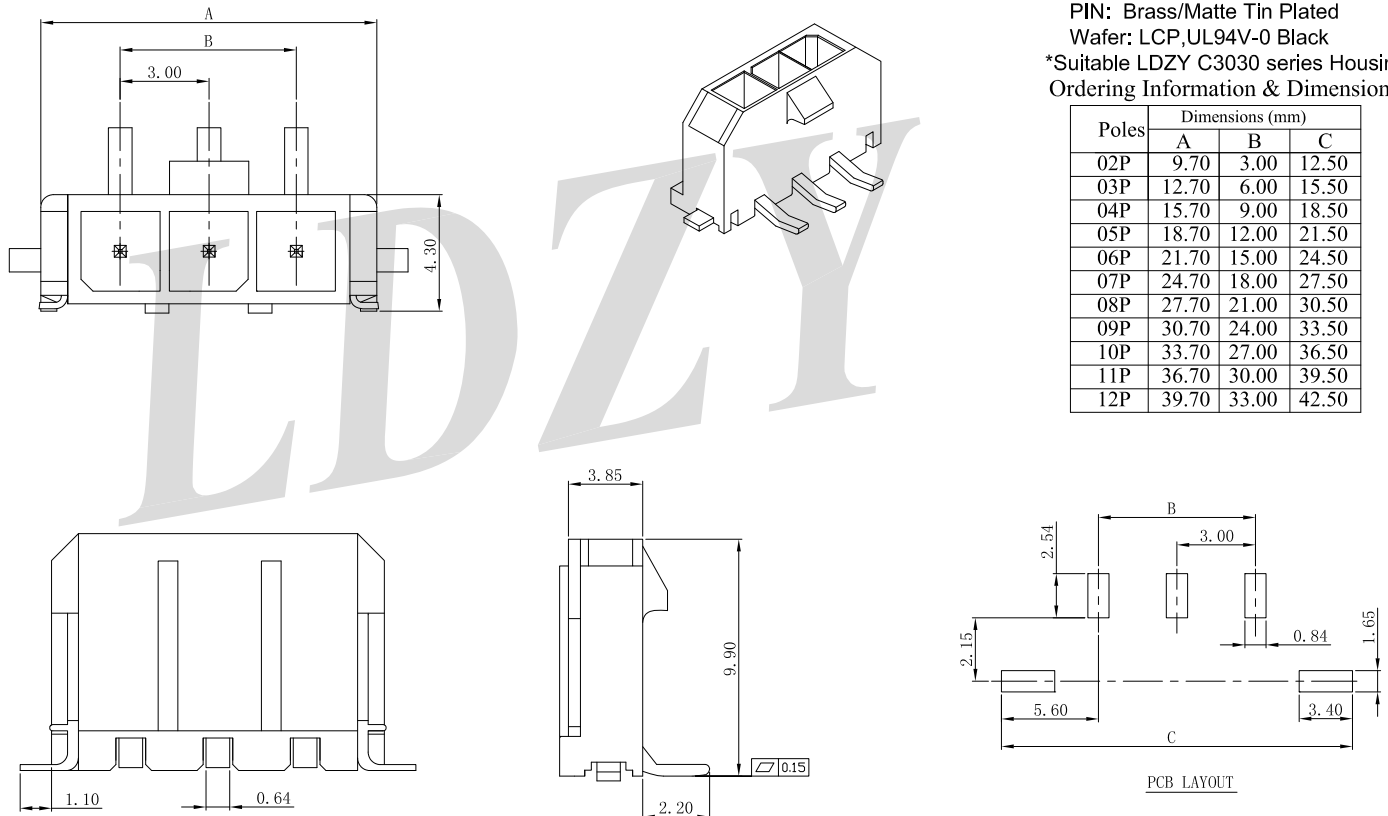
Wafer: PBT,UL94V-0 Black

\*Suitable LDZY C3030 series Housing  
Ordering Information & Dimensions

Poles	Dimensions (mm)		
	A	B	C
01P	---	6.65	---
02P	3.00	9.65	9.00
03P	6.00	12.65	12.00
04P	9.00	15.65	15.00
05P	12.00	18.65	18.00
06P	15.00	21.65	21.00
07P	18.00	24.65	24.00
08P	21.00	27.65	27.00
09P	24.00	30.65	30.00
10P	27.00	33.65	33.00
11P	30.00	36.65	36.00
12P	33.00	39.65	39.00

## C3030WVS-NP-L0BKM

3.00mm Pitch 180° SMT Single Row Wafer



Reference Informations:

\*Material:

PIN: Brass/Matte Tin Plated

Wafer: LCP,UL94V-0 Black

\*Suitable LDZY C3030 series Housing  
Ordering Information & Dimensions

Poles	Dimensions (mm)		
	A	B	C
02P	9.70	3.00	12.50
03P	12.70	6.00	15.50
04P	15.70	9.00	18.50
05P	18.70	12.00	21.50
06P	21.70	15.00	24.50
07P	24.70	18.00	27.50
08P	27.70	21.00	30.50
09P	30.70	24.00	33.50
10P	33.70	27.00	36.50
11P	36.70	30.00	39.50
12P	39.70	33.00	42.50