

244 Brick Fuse



Main Characteristics

Brick Fuse; Time-Lag(T)

Standard

UL248-14

Materials

Body: Ceramic
End Caps: Copper plated with silver

Operating Temperature

-55°C to +125°C

Stock Temperature

+10°C to +60°C

Relative humidity: ≤75% yearly average
Without dew, maximum 30 days at 95%

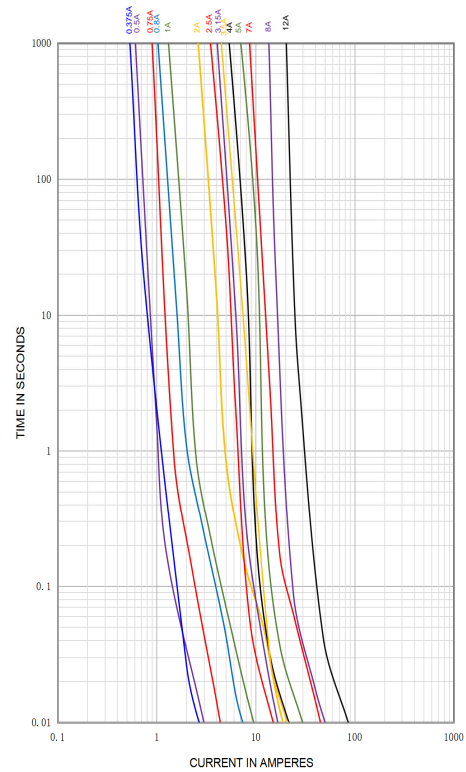
Vibration Resistance

24 cycles at 15 min. each (60068-6)
10-60Hz at 0.75mm amplitude
60-2000Hz at 10g acceleration

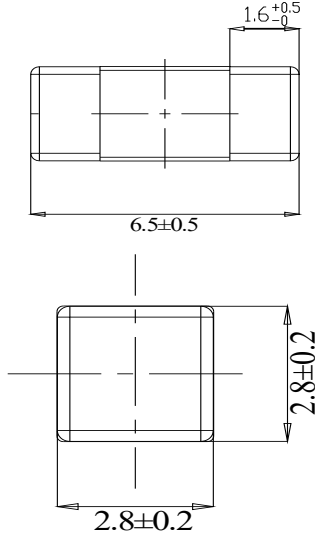
Soldering Parameters

260°C. ≤10 sec (Wave Soldering)
350°C. ≤3 sec (Hand Soldering)
Soldering Peak:
260°C. 10 sec.
280°C. 5 sec. (IEC 60068-20)

Average Current Curve(I-T Curve)



Dimensions(unit:mm)



Time vs Current Characteristics: UL248-14

Rated Current	100%	200%
250mA~12A	>4h	<120s



Electrical Characteristics at 25°C											
Amp Code	Rated Current	Rated Voltage	Typical Voltage Drop Max(mV)	Breaking Capacity	Typical Melting I ² T (A ² s)	Typical cold Resistance (mΩ)	Approvals				
							cURus	CQC	TUV	KC	PSE
0250	250mA	125V AC 250V AC 125V DC	800	100A@125V AC 100A@250V AC 50A@125V DC	0.050	786.2	●	○	○	○	○
0315	315mA		750		0.053	1388	●	○	○	○	○
0375	375mA		700		0.073	980	●	○	○	○	○
0400	400mA		700		0.060	966.2	●	○	○	○	○
0500	500mA		600		0.055	602	●	●	●	●	○
0630	630mA		500		0.220	396	●	○	●	○	○
0750	750mA		500		0.168	350	●	○	○	○	○
0800	800mA		400		0.512	306	●	○	●	○	○
1100	1.00A		400		0.870	246	●	●	●	●	●
1125	1.25A		300		0.830	165.9	●	○	●	○	○
1160	1.60A		300		1.690	124	●	○	●	○	○
1200	2.00A		300		3.480	88.5	●	●	●	●	●
1250	2.50A		300		2.060	23.3	●	●	●	●	○
1300	3.00A		300		2.160	21.6	●	○	○	○	○
1315	3.15A		300		2.480	20.6	●	●	●	●	○
1350	3.50A		300		4.500	19.5	●	○	○	○	○
1400	4.00A		300		3.840	15.4	●	●	○	●	○
1500	5.00A		300		7.500	11.8	●	●	●	●	○
1630	6.30A		300		9.600	9.00	●	●	●	●	○
1700	7.00A		300		12.74	8.24	●	○	●	○	○
1800	8.00A	300	21.60	6.40	○	○	○	○	○		
2120	12.00A	300	79.00	5.00	○	○	○	○	○		

- Note: (1) Permissible continuous operating current is ≤100% at ambient temperature of 23°C (73.4°F)
 (2) The current values used for calculating I²T should be within the standard 10In.
 (3) The TUV certification only for 250VAC and 125VDC; the CQC, KC certification only for 250V; the cURus certification for all voltage.
 (4) 250mA No sand filling

Ordering Information

Series	Amp Code	Supplementary Code	Qty
244			